

YJOT 亿嘉

科技改变未来

CM600-L280

1D Laser Fixed Bar Code Reader

- Comprehensive reading skills
- Low-power design compatible with all kinds of devices
- Powerful data editing features
- Reliable and durable structural design



Product Features

Comprehensive reading skills

Quickly scans and decodes various types of 1D barcodes, with a wide reading range. It can clearly read barcodes with poor printing quality or blurry labels.

Low-power design compatible with all kinds of devices

The low-power design of the device minimizes connection issues caused by factors such as insufficient USB driver capability of the host computer or excessive voltage requirements for connected devices, thereby significantly enhancing device compatibility.

Powerful data editing features

Powerful data editing features to flexibly meet various data editing needs.

Reliable and durable structural design

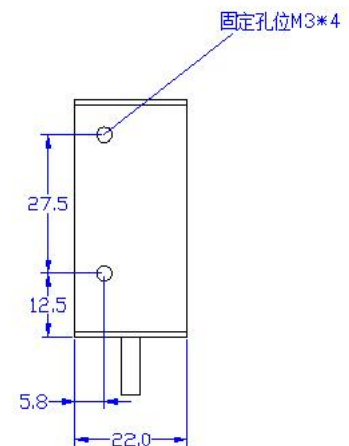
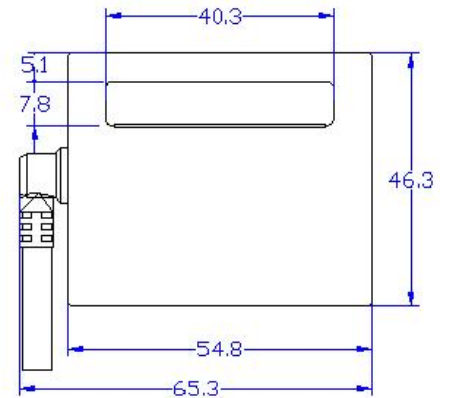
Capable of withstanding repeated drops from a height of 0.6 meters onto a concrete surface, the product demonstrates exceptional reliability and stability.

CM600-L280

1D laser fixed bar code reader

Electrical character	
Data interface	RS232
Working voltage	DC 5V±5%
Working current	106mA
Optical characteristics	
Sensor	Photosensor
Illuminant	650±10 nm visible laser
Performance characteristic	
Scan distance	5~270mm@Code128(8mil)
	5~295mm@Code39(8mil)
Scanning rate	104 times per second
Reading angle	Tilt: ±65°; Offset: ±40°; Rotate: ±35°
Minimum resolution	4mil
Minimum print contrast	>25%UPC/EAN 13(13mil)
Curvature	R > 15mm (EAN8) , R > 20mm (EAN13)
Decoding capability	Codabar, Code11, Code39, Code93, Code128, Data Options, Discrete 2of5, UPC/ EAN, Chinese 2of5, Event Reporting, GS1 DataBar, Interleaved 2of5, MSI, Serial Interface
Physical characteristics	
Size	54.8 Millimeters X46.3 Millimeters X22 Millimeters (length x width x height)
Weight	74g (excluding cables)
Earthquake resistance	0.6 Falls to the concrete surface at point M
Environmental character istics	
Temperature	0°C-40°C (working), -10°C-60°C (storage)
Humidity	20%~90%
Photoreactivity	1000lux

dimensional drawing



*No further notice will be given if specifications change.

