

# YJOT 亿嘉

科技改变未来

## CM150i

### 1D Red Light Fixed Bar Code Reader

- Excellent decoding capability
- Humanized light source
- Powerful data editing features
- Reliable and durable structural design



## Product Features

### Excellent decoding capability

The decoding speed is fast, with 330 scans per second, enabling rapid reading of paper-based one-dimensional barcodes.

### Humanized light source

The red LED bar light source not only prevents visual fatigue during continuous high-intensity operations, but also significantly improves work efficiency.

### Powerful data editing features

Powerful data editing features to flexibly meet various data editing needs.

### Reliable and durable design

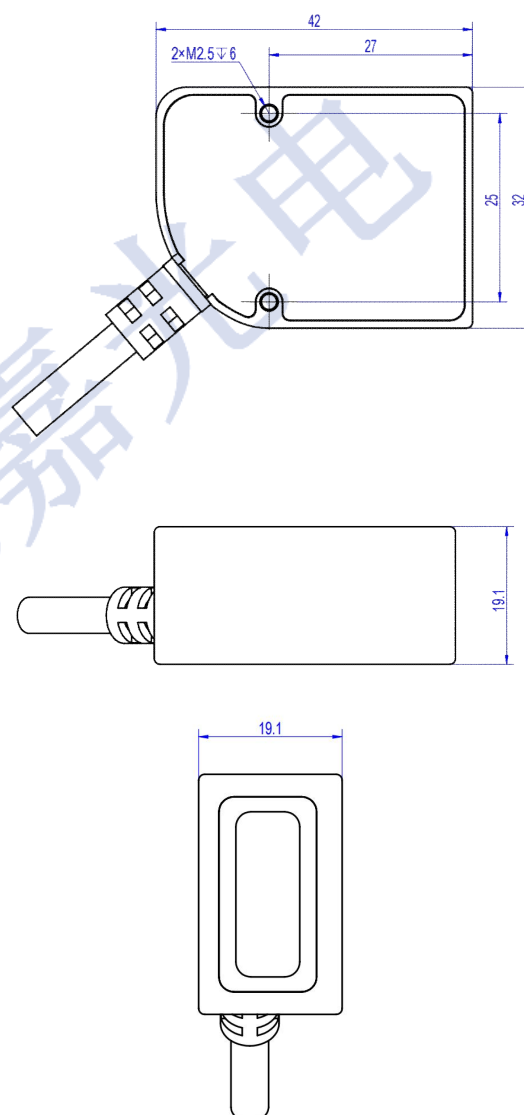
The product can withstand repeated drops from a height of 0.6 meters onto a concrete surface, ensuring excellent reliability and stability.

# CM150i

1D red light fixed bar code reader

Electrical character	
Data interface	RS232
Working voltage	DC 5V ±10%
Working current	200mA
Optical characteristics	
Sensor	CCD linear sensor
Illuminant	Glow LED
Sensor resolution	2500 pixels
Performance characteristic	
Scan distance	55-180mm@Code128(8mil)
	55-190mm@Code39(8mil)
Scanning rate	330 times per second
Minimum resolution	4mil
Minimum print contrast	>30%UPC/EAN 13(13mil)
Decoding capability	1 D: UPC-A, UPC-E, EAN-8, EAN-13, JAN-8, JAN-13, ISBN, ISSN, Code39 (full ASCLL), Codabar, Code 128, EAN128, Code93, Addendum2of5, Interleaved2of5 (ITF), IATA Code, MSI/Plessey, ChinaPostalCode, Industrial2of5, Standard2of5, Matrix2of5 (JAP), Code 11, RSS14, RSSLimited, RSS Expanded, TelepenCode, etc.
Physical characteristics	
Size	42 Millimeter X32 Millimeter X 19.1 Millimeter (length x width x height)
Weight	Approximately 33g (excluding cables)
Environmental character istics	
Temperature	0°C-50°C (working), -20°C-60°C (storage)
Humidity	5% to 95% non-coagulable
Photoreactivity	100,000lux

dimensional drawing



\*No further notice will be given if specifications change.

