

YJOT 亿嘉

科技改变未来

CM300

1D Red Light Fixed Barcode Reader

- Excellent decoding capability
- Humanized light source
- Powerful data editing features
- Reliable and durable structural design



Product Features

Excellent decoding capability

The scanning and decoding speed is extremely fast, with 700 scans per second, capable of scanning fast-moving one-dimensional barcodes.

Humanized light source

The red LED strip light source prevents visual fatigue even under continuous high-intensity working conditions while significantly improving operational efficiency.

Powerful data editing features

Powerful data editing features to flexibly meet various data editing needs.

Reliable and durable structural design

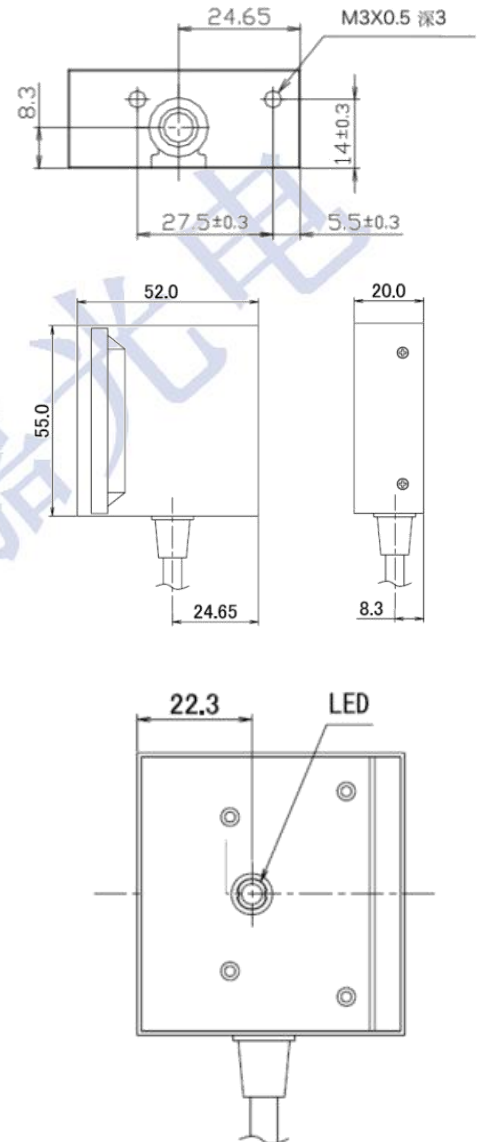
Capable of withstanding repeated drops from a height of 0.6 meters onto concrete surfaces, the product demonstrates exceptional reliability and stability.

CM300

1D red light fixed barcode reader

Electrical character	
Data interface	RS232
Working voltage	DC 5V±5%
Working current	220mA
Optical characteristics	
Sensor	CCD linear sensor
Sensor resolution	2048 pixels
Performance characteristic	
Scanning distance	15~55mm@Code128(8mil)
	15~55mm@Code39(8mil)
Scanning rate	700 times per second
Reading angle	Tilt: ±30°; Offset: ±60°; Rotation: ±10°
Minimum resolution	6mil
Minimum print contrast	>25%UPC/EAN 13(13mil)
Curvature	R > 20mm (EAN8) , R > 30mm (EAN13)
Decoding capability	Codabar/ NW-7, Code39, Code93, Code128, GS1-128(EAN-128), Industrial 2of5, Interleaved 2of5, IATA, JAN/UPC/EAN incl. add on, MSI/Plessey
Physical characteristics	
Size	52 Millimeter X55 Millimeter X20 Millimeter (length × width × height)
Weight	110g
Earthquake resistance capability	0.6 Falls to the concrete surface at point M
Environmental characteristics	
Temperature	0°C-40°C (working), -10°C-60°C (storage)
Humidity	20%~90%
Photorefringency	5000lux

dimensional drawing



No further notice will be given if specifications change.

