

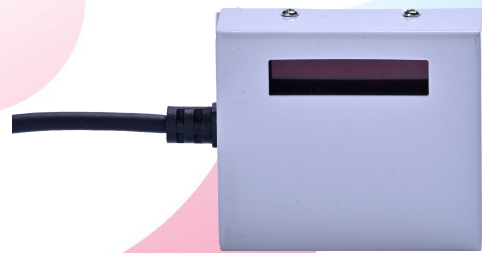
# YJOT 亿嘉

科技改变未来

## CM500-L270

### 1D Laser Fixed Bar Code Reader

- higher performance processor
- Industrial design
- Compact size
- Excellent read feedback



### Product Features

---

#### high performance processor

The 32-bit high-performance CPU delivers faster decoding speed and enhanced error correction capabilities.

#### Industrial design

A robust and durable design provides enhanced protection and adapts to diverse working environments

#### Compact size

Compact size is suitable for space-limited scenarios

#### Excellent read feedback

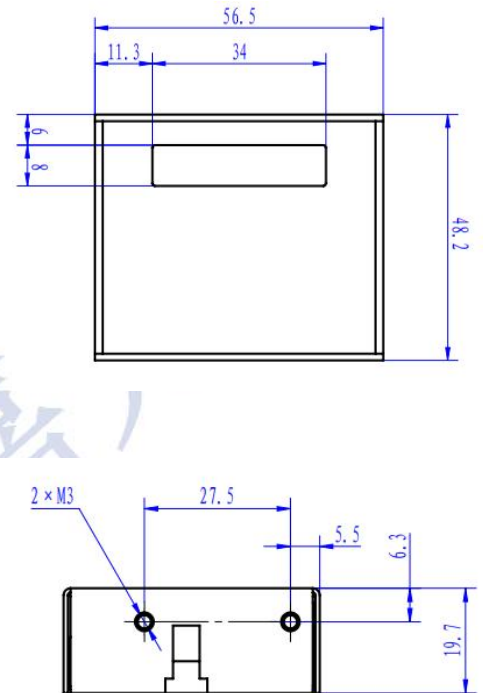
Equipped with red and green LED read indicators and a buzzer for successful code reading, ensuring operators receive prompt and accurate feedback.

# CM500-L270

1D laser fixed bar code reader

| Electrical character          |   |
|-------------------------------|---|
| Data interface                | RS232   |
| Working voltage               | DC 5V±5%  |
| Working current               | 120mA   |
| Optical characteristics       |   |
| Sensor                        | Photosensor   |
| Illuminant                    | 650±10 nm visible laser   |
| Performance characteristic    |   |
| Scan distance                 | 15~190mm@Code128(8mil)  |
|                               | 15~210mm@Code39(8mil)   |
| Scanning rate                 | 100 times per second  |
| Reading angle                 | Tilt: ±35°; Offset: ±50°; Rotate: ±20°  |
| Minimum resolution            | 4mil  |
| Minimum print contrast        | >25%UPC/EAN 13(13mil)   |
| Curvature                     | R > 15mm (EAN8) , R > 20mm (EAN13)  |
| Decoding capability           | Code39, Code39 Full ASCII, Code93, Code128, Interleaved 2of5, CX-Chinese postmatrix 2of5, IATA, Industrial 2of5, ISBN, ISMN, ISSN, Italian Pharmaceutical, JAN/UPC/EAN/Add-on, Korean Postal Authority code, Matrix 2of5, MSI/Plessey, NW-7/Codabar ind.ABC, RSS Limited(ind.CC-A/B), RSS Expanded(ind.CC-A/B), S-Code, Telepen, Tri-Optic, UCC/EAN-128 |
| Physical characteristics      |   |
| Size                          | 56.5 Millimeters X48.2 Millimeters X20 Millimeters (length x width x height)  |
| Weight                        | 89g (excluding cables)  |
| Earthquake resistance         | 1.0 Falls to the concrete surface at point M  |
| Environmental characteristics |   |
| Temperature                   | -20°C to +65°C (operating), -30°C to +70°C (storage)  |
| Humidity                      | 20%~85%   |
| Photoreactivity               | The maximum brightness of fluorescent lamps is 3000 lx, while direct sunlight can reach up to 50000 lx.   |

dimensional drawing



\*No further notice will be given if specifications change.

