

YJOT 亿嘉

科技改变未来

CML600

1D Laser High-Speed Fixed Barcode Reader

- single line high speed scanning
- Supports multiple working modes
- Excellent read feedback
- Reliable and durable structural design



Product Features

single line high speed scanning

The 32-bit CPU delivers blazing-fast decoding, instantly capturing fast-moving one-dimensional barcodes.

Supports multiple working modes

Supports manual button scanning, automatic sensing scanning, and external trigger control scanning

Excellent read feedback

Equipped with red and green LED indicator lights and a buzzer for successful code reading, ensuring operators receive prompt and accurate feedback.

Reliable and durable structural design

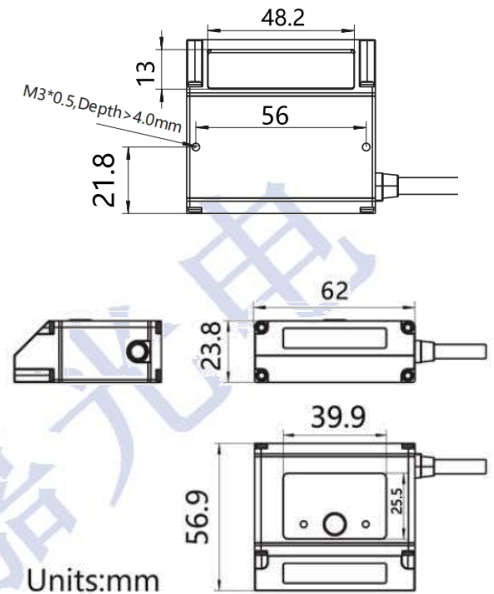
Fully metal enclosure with a square-shaped design, IP65 protection rating, suitable for various industrial and medical applications

CML600

1D laser high-speed fixed bar code reader

Electrical character	
Data interface	RS232
Working voltage	DC 5V±10%
Working current	250mA±10%
Optical characteristics	
Sensor	Photosensor
Illuminant	650±10nm visible laser
Performance characteristic	
Scan distance	25~135mm@Code128(8mil)
	25~125mm@Code39(8mil)
Scanning rate	600±10 lines per second
Reading angle	Tilt: ±65°; Offset: ±40°; Rotate: ±35°
Minimum resolution	5mil/0.127mm
Minimum print contrast	>30%UPC/EAN 13(13mil)
Curvature	R > 15mm (EAN8) , R > 20mm (EAN13)
Decoding capability	UPC / EAN / JAN , UPC-A & UPC-E , EAN-8&EAN-13,JAN-8&AN-13, ISBN / ISSN , Code 39(with full ASCII) , Codabar (NW7), Code 128&EAN 128, Code 93, code11, Interleaved 2 of 5(TF) , Addendum 2 of 5, IATA Code , MSI / Plessy , China Postal Code , Code 32(Italian Pharmacode) , RSS 14, RSS Limited , RSS Expanded , Telpen
Physical characteristics	
Size	62×56.9×23.8 mm (length×width×height)
Weight	Approximately 200 grams
Earthquake resistance	Falls from 1.0M to concrete surface
Environmental character istics	
Temperature	0°C to +50°C (operating), -20°C to +60°C (storage)
Humidity	5%~95%
Photoreactivity	0~4500 Lux (fluorescence)

dimensional drawing



Units:mm



*No further notice will be given if specifications change.

