

YJOT 亿嘉

科技改变未来

CM500-L13

1D Laser Fixed Bar Code Reader

- Comprehensive reading skills
- Industrial design
- Compact size
- Excellent read feedback



Product Features

Comprehensive reading skills

Quickly scans and decodes various types of 1D barcodes, with a wide reading range. It can clearly read barcodes with poor printing quality or blurry labels.

Industrial design

The robust design provides better protection and adaptability to more working environments.

Compact size

Compact size is suitable for space-limited scenarios

Excellent read feedback

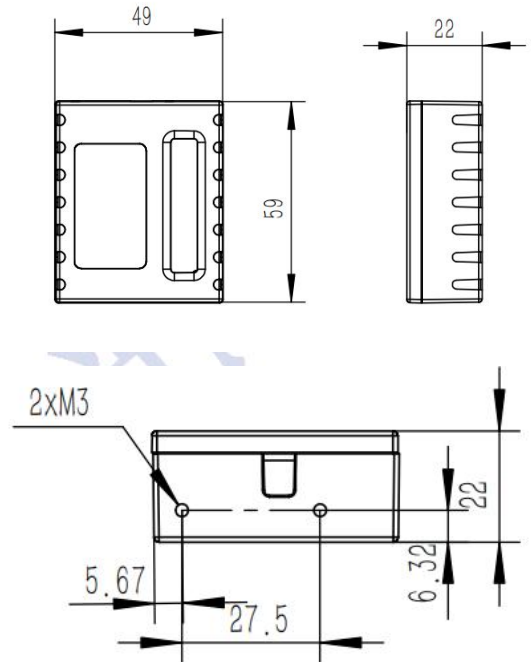
Equipped with red and green LED read indicators and a buzzer for successful code reading, ensuring operators receive prompt and accurate feedback.

CM500-L13

1D laser fixed bar code reader

Electrical character	
Data interface	RS232
Working voltage	DC 5V±10%
Working current	120mA
Optical characteristics	
Sensor	Photosensor
Illuminant	650±10 nm visible laser
Performance characteristic	
Scan distance	10~175mm@Code128(8mil)
	20~150mm@Code39(8mil)
Scanning rate	100 times per second
Reading angle	Tilt: ±50°; Offset: ±35°; Rotate: ±20°
Minimum resolution	4mil
Minimum print contrast	>30%UPC/EAN 13(13mil)
Curvature	R > 15mm (EAN8) , R > 20mm (EAN13)
Decoding capability	Code39,Code39 Full ASCII,Code93,Code128, Inter leaved 2of5,CX-Chinese postmatrix 2of5, IATA, Industrial 2of5,ISBN, ISMN,ISSN, ItalianPharmaceutical, JAN/UPC/EAN/Add-on, Korean Postal Authority code, Matrix 2of5 ,MSI/Plessey, NW-7/Codabar ind.ABC , RSS Limited(ind.CC-A/B), RSS Expanded(ind.CC-A/B), S-Code,Telepen, Tri-Optic,UCC/EAN-128
Physical characteristics	
Size	59 Millimeter X49 Millimeter X22 Millimeter (length x width x height)
Weight	58g (excluding cables)
Earthquake resistance	1.0Falls to the concrete surface at point M
Environmental character istics	
Temperature	-20°C to 65°C (operating), -30°C to 70°C (storage)
Humidity	20%~85%
Photoreactivity	The maximum brightness of fluorescent lights is 3000 lux, while direct sunlight can reach up to 50000 lux.

dimensional drawing



*No further notice will be given if specifications change.

