

YJOT 亿嘉

科技改变未来

CM130i

One-Dimensional Red Light Fixed Bar Code Reader

- Excellent scanning performance
- Supports multiple working modes
- Excellent read feedback
- Reliable and durable structural design



Product Features

Excellent scanning performance

Decoding is fast, with a scanning speed of 300 scans per second, enabling quick reading of both paper and screen barcodes.

Support multiple working modes

Supports manual button scanning, automatic sensing scanning, and always-on scanning

Excellent read feedback

Equipped with an LED code-reading indicator and a buzzer for successful code recognition, ensuring operators receive prompt and accurate feedback.

Reliable and durable structural design

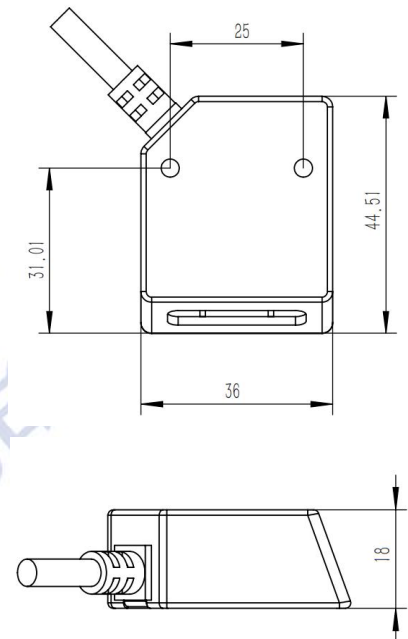
Capable of withstanding repeated drops from a height of 1.0 meters onto a concrete surface, the product demonstrates exceptional reliability and stability.

CM130i

1D red light fixed bar code reader

Electrical character	
Data interface	RS232
Working voltage	DC 5V±10%
Working current	150mA
Optical characteristics	
Sensor	CCD linear sensor
Illuminant	Red LED
Performance characteristic	
Scan distance	30~160@Code128(8mil)
	40~160@Code39(8mil)
Scanning rate	300 times per second
Minimum resolution	5mil
Minimum print contrast	>30%UPC/EAN 13(13mil)
Curvature	R > 15mm (EAN8)
Decoding capability	UPC/EAN/JAN: UPC-A & UPC-E, EAN-8 & EAN-13, JAN-8 & JAN-13, Code 39 (with full ASCII), Codabar (NW7), Code 128 & EAN 128, Code 93, Interleaved 2 of 5 (ITF), MSI/Plessey, Telepen Code Code 32 (Italian Pharmacode): Industrial 2 of 5, Standard 2 of 5, Matrix 2 of 5 (JAP)
Physical characteristics	
Size	44.5 x 36 x 18 mm (length*width*height)
Weight	Approximately 25g (excluding cables)
Earthquake resistance	1.0 Falls to the concrete surface at point M
Environmental character istics	
Temperature	0°C to +50°C (operating), -20°C to +60°C (storage)
Humidity	5%~90%
Photoreactivity	0~4000Lux (fluorescence)

dimensional drawing



*No further notice will be given if specifications change.

