

YJOT 亿嘉

科技改变未来

CMR600

2D Image Fixed Barcode Reader

- Excellent decoding capability
- High-definition optical multi-lighting design
- Multi-interface, wide voltage power supply
- Durable, compact, and resistant to environmental conditions



Product Features

Excellent decoding capability

Minimum resolution: 3 mil. Compatible with mainstream 1D/2D barcodes for stable reading.

High-definition optical multi-lighting design

A 1920×1080 CMOS sensor paired with red/white/green LED lighting and laser targeting delivers sharp imaging.

OCR apply

Supports various print fonts and character OCR recognition.

visual inspection

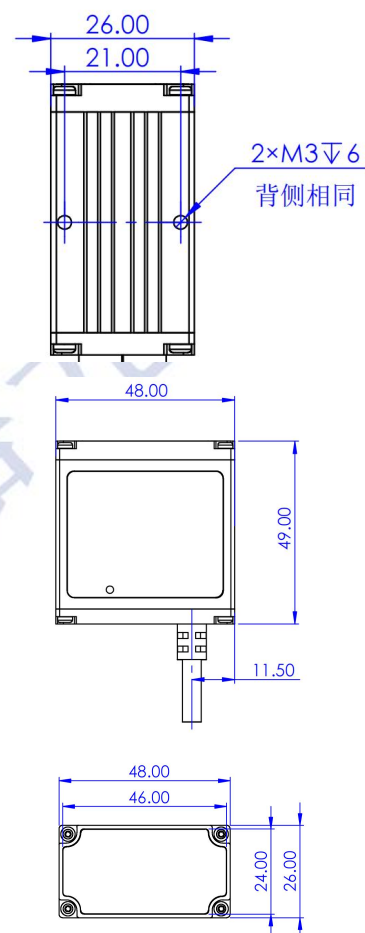
Supports visual color judgment, material sorting, model training recognition, and other detection tasks.

CMR600

Two-dimensional image fixed barcode reader

Electrical character	
Data interface	RS232, Ethernet, USB
Protocol	RS232: Serial Communication
	Ethernet : TCP/IP
	USB: MSC
Working voltage	USB: DC5V
	RS232, Ethernet: 5~24 V
Input currenton	Working current: 450 mA Standby current: 165 mA
Optical characteristics	
Imaging sensor	CMOS
Resolution ratio	1920x1080
Take aim	650 nm red laser spot
Lighting	4* Red LED 4* White LED 4* Green LED
Light emission direction	Direct Light Out
Performance characteristic	
Scan Distance	80~190mm@ CODE39(3mil)
	50~320mm@ CODE39(5mil)
	50~650mm@ EAN13(13mil)
	30~330mm@ QR(15mil)
Field of View	60° horizontal, 35° vertical
Minimum resolution	3mil
Minimum print contrast	≥10%UPC/EAN 13(13mil)
Decoding capability	1D:Code128, Code93, Code39, Codabar, UPC-A/UPC-E/, ITF/ITF-14,GS1 Databar Omnidirectional,GS1-Databar Stacked ISBN/ISMN/ISSN
	2D: QR,Data Matrix
Physical characteristics	
Size	48 (W) mm × 26 (D) mm × 49 (H) mm (length × width × height)
Weight	Approximately 130 g (excluding cable)
Environmental character istics	
Temperature	-20 to 65°C (working temperature), -40 to 70°C (storage temperature)
Humidity	5~95% (no condensation)

dimensional drawing



*No separate notice will be given if specifications change. *

