

YJOT 亿嘉

科技改变未来

CM500-L57

1D Laser Fixed Bar CodeReader

- Comprehensive reading skills
- Supports multiple working modes
- Excellent read feedback
- Powerful data editing features



Product Features

Comprehensive reading skills

Supports fast scanning and decoding of various 1D barcode types, with wide reading range

Compact size

Compact in size, ideal for space-constrained applications and easy to integrate into various devices and install on complex structures.

Excellent read feedback

Equipped with an LED code-reading indicator and a buzzer for successful code recognition, ensuring operators receive prompt and accurate feedback.

Powerful data editing features

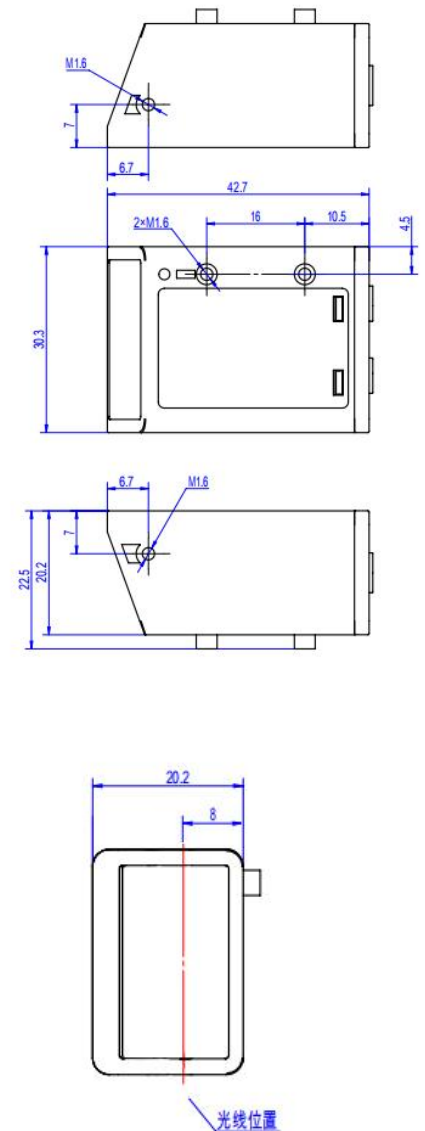
Powerful data editing features to flexibly meet various data editing needs.

CM500-L57

1D laser fixed bar code reader

Electrical character	
Data interface	RS232
Working voltage	DC 5V±5%
Working current	Max. 120mA
Optical characteristics	
Sensor	Photosensor
Illuminant	650±10 nm visible laser
Performance characteristic	
Scan distance	25~180@Code128(8mil)
	30~240@Code128(10mil)
Scanning rate	100 times per second
Reading angle	Left and right: -35 to 0°, 0 to +35° (Forward and backward): -50 to -8°, +8 to +50° Left and right: -20 to 0°, 0 to +20°
Minimum resolution	4mil
Minimum print contrast	> 30%UPC/EAN 13(13mil)
Curvature	R > 15mm (EAN8)
Decoding capability	UPC / EAN / JAN , UPC-A & UPC-E ,EAN-8&EAN-13,JAN-8&AN-13, ISBN / ISSN , Code 39(with full ASCII), Codabar (NW7), Code 128& EAN 128, Code 93,code11, Interleaved 2 of 5(TF), China Postal,Telepen.
Physical characteristics	
Size	44.5 mm × 34 mm × 18 mm (length × width × height)
Weight	Approximately 35g (excluding cables)
Earthquake resistance	1.0 Falls to the concrete surface at point M
Environmental character istics	
Temperature	-20°C to +65°C (operating), -30°C to +65°C (storage)
Humidity	20% to 85% non-condensable
Photoreactivity	The maximum brightness of fluorescent lamps is 3000 lx, direct sunlight reaches 50,000 lx, and incandescent lamps also have a maximum brightness of 3000 lx.

dimensional drawing



*No further notice will be given if specifications change.

