

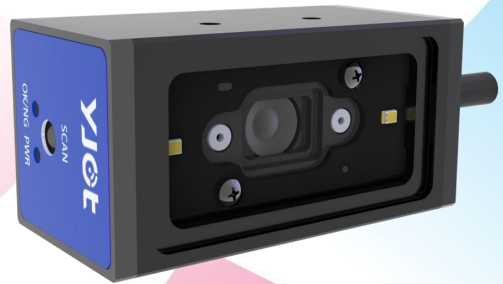
YJOT 亿嘉

科技改变未来

CMR650

2D Image Fixed Barcode Reader

- Excellent decoding capability
- Clear optical focusing design
- Reliable and stable electrical performance
- A sturdy and durable physical structure



Product Features

Excellent decoding capability

Supports multiple 1D/2D barcode formats with a minimum resolution of 3 mils enabling fast and accurate reading of various barcodes.

Clear optical focusing design

Equipped with a 650-nm red dual-laser alignment system and white LED illumination, the direct-light design provides more intuitive aiming and enhances scan accuracy.

Stable and reliable electrical performance

Supports multiple data interfaces with a wide 5–12 VDC input voltage range.

A sturdy and durable physical structure

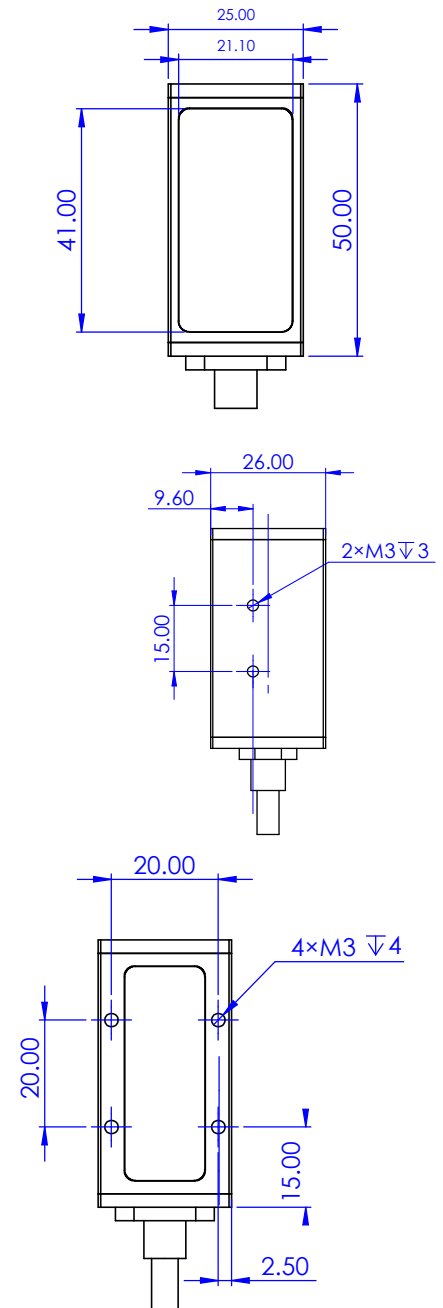
Compact size and lightweight design, suitable for complex industrial environments.

CMR650

Two-dimensional image fixed barcode reader

Electrical character	
Data interface	RS232, USB HID, USB Virtual Serial Port, RS485
Working voltage	5-12VDC
Power consumption parameters	250 mA @ 3.3 V (QR code scanning state, average current) <60 mA @ 3.3 V (low-power standby state)
Optical characteristics	
Imaging sensor	1280x800, CMOS
Take aim	650nm red dual laser autofocus
Lighting	White LED (3000K)
Light emission direction	Direct Light Out
Performance characteristic	
Scan Distance	3mil CODE39: 8~19cm
	5mil CODE39: 5~32cm
	13mil EAN13: 5~65cm
	15mil QR: 3~33cm
Field of View Angle	Vertical: 82°, Horizontal: 52°
Minimum resolution	3mil
Symbol Contrast	≥10%UPC/EAN 13(13mil)
Decoding capability	1 D: Code 128, Code 39, Code 39 Full ASCII, Trioptic Code 39, Code 32, Code 93, UPC-A, UPC-E, UPC-E1, UPC-E+, UPC-A+, EAN8/JAN8, EAN13/JAN13, Bookland EAN/ISBN, Interleaved 2 of 5, Matrix 2 of 5, Industrial 2 of 5, Chinese 2 of 5, Code Bar, Code 11, MSI, ISBT, GS1-128, GS1 Databar 14, GS1 Databar Limited, GS1 Databar Expanded, postal codes of various countries 2D: QR, Datamatrix, PDF417, Micro QR, Micro PDF417, Hanxin, GridMatrix, Aztec, Maxicode, GS1 QR, GS1 Datamatrix, GS1 Composite (CC-A/CC-B/CC-C)
Physical characteristics	
Size	26 (W) mm × 25 (D) mm × 50 (H) mm (length × width × height)
Weight	Approximately 100 g (excluding cables)
Environmental character istics	
Temperature	-20 to 65°C (working temperature), -40 to 70°C (storage temperature)
Humidity	5~95% (no condensation)
Light Resistance	0~100,000LUX

dimensional drawing



No separate notice will be given if specifications change.

