

YJOT 亿嘉

科技改变未来

CML600

One-dimensional laser high-speed fixed barcode reader

- Single line high speed scan
- Support for multiple working modes
- Excellent read-taking feedback
- Reliable and durable structural design



Product characteristics

Single line high speed scan

32-bit cpu, fast decoding speed, and can instantly capture the fast moving one-dimensional bar code.

Support for multiple working modes

Support includes manual button scan, automatic induction scan, and external trigger control scan.

Excellent read-taking feedback

With red and green LED reading prompt light and buzzer, to ensure that the operator can quickly and accurately get the reading feedback prompt.

Reliable and durable structural design

All-metal shell, square appearance, IP65 protection level, suitable for a variety of industrial, medical application environment.

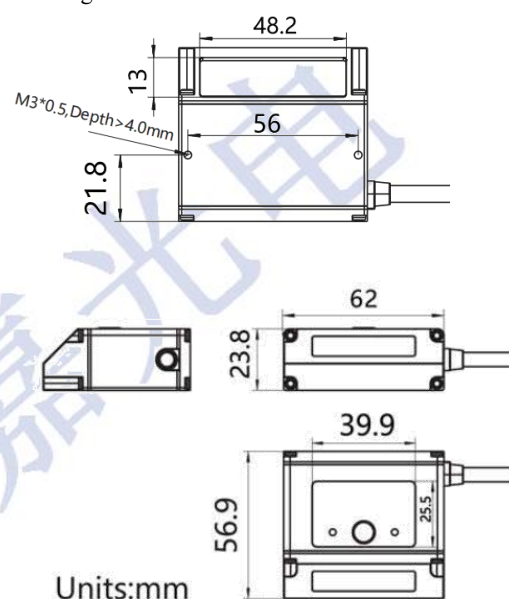
CML600

one-dimensional laser high-speed fixed

barcode reader

electrical character	
data interface	RS232/USB
working voltage	DC5V±10%
working current	250mA±10%
optical property	
sensor	Photo sensor
light source	A 650 ± 10nm visual laser light
performance characteristic	
Scan distance	25~135mm@Code128(8mil)
	25~125mm@Code39(8mil)
scanning rate	600 ± 10 lines / s
reading angle	Tilting: ± 65; offset: ± 40; rotation: ± 35
Minimum resolution	5mil/0.127mm
Minimum print contrast ratio	>30%UPC/EAN 13(13mil)
curvature	R > 15mm (EAN8) , R > 20mm (EAN13)
Decoding ability	UPC / EAN / JAN , UPC-A & UPC-E ,EAN-8&EAN-13,JAN-8&AN-13, ISBN / ISSN , Code 39(with full ASCII), Codabar (NW7), Code 128& EAN 128, Code 93,code11, Interleaved 2 of 5(TF), Addendum 2 of 5, IATA Code , MSI / Plessey , China Postal Code , Code 32(Italian Pharmacode), RSS 14, RSS Limited , RSS Expanded , Telpen
physical characteristics	
size	101 mm X51 mm X 32 mm (height)
weight	About 200g
Seismic ability	At 1.0M, it falls to the concrete surface
environmental characteristics	
temperature	0°C ~ + 50°C (working), -20°C ~ + 60°C (storage)
humidity	5%~95%
Light resistance	0 ~ 4500 Lux (fluorescent)

dimensional drawing



* Specifications are subject to change without prior notice *