

# YJOT 亿嘉

科技改变未来

## CML600i

### One-dimensional laser high-speed fixed barcode reader

- Single line high speed scan
- Support for multiple working modes
- Excellent read-taking feedback
- Reliable and durable structural design



## Product characteristics

### Single line high speed scan

32-bit cpu, fast decoding speed, and can instantly capture the fast moving one-dimensional bar code.

### Support for multiple working modes

Support includes manual button scan, automatic induction scan, and external trigger control scan.

### Excellent read-taking feedback

With red and green LED reading prompt light and buzzer, to ensure that the operator can quickly and accurately get the reading feedback prompt.

### Reliable and durable structural design

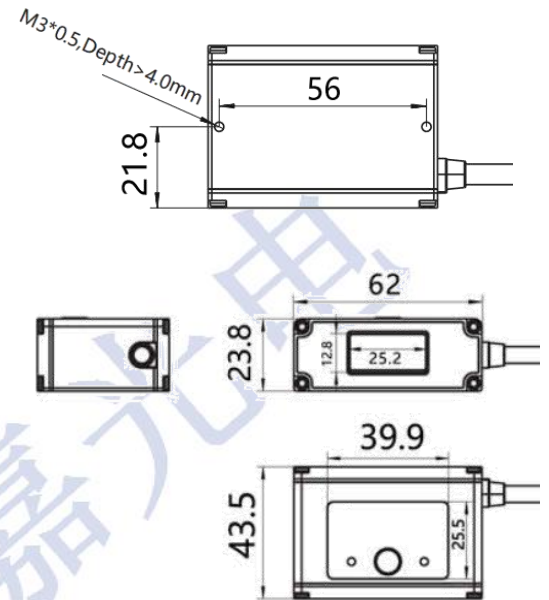
All-metal shell, square appearance, IP65 protection level, suitable for a variety of industrial, medical application environment.

# CML600i

One-dimensional laser high-speed fixed barcode reader

electrical characteristics	
data interface	RS232
working voltage	DC 5V±10%
working current	250mA±10%
optical characteristics	
sensor	photoelectric sensor
illuminant	650±10nm visual laser
performance characteristics	
scan distance	50~165mm@Code128(8mil)
	45~155mm@Code39(8mil)
scanning rate	600±10 line/sec
reading angle	bias: ±65°; shifting: ±40°; revolve: ±35°
scan the angle	60°
minimum resolution	5mil/0.127mm
minimum print contrast ratio	>30%UPC/EAN 13(13mil)
curvature	R > 15mm (EAN8) , R > 20mm (EAN13)
decoding ability	UPC / EAN / JAN , UPC-A & UPC-E ,EAN-8&EAN-13,JAN-8&AN-13, ISBN / ISSN , Code 39( with full ASCII ), Codabar (NW7), Code 128& EAN 128, Code 93,code11, Interleaved 2 of 5( TF ), Addendum 2 of 5, IATA Code , MSI / Plessy , China Postal Code , Code 32( Italian Pharmacode ), RSS 14, RSS Limited , RSS Expanded , Telpen
physical characteristics	
size	62mm X 43.5mm X 23.8mm (long×wide×high)
weight	142g
aseismic capacity	1.0M drop down to the concrete surface
environmental characteristics	
temperature	0°C~+50°C (work) , -20°C~+60°C (store up)
humidity	5%~95%
light resistance	0~4500Lux (fluorescence)

dimensional drawing:



Units:mm



\*Specifications are subject to change without notice\*

