

# YJOT 亿嘉

科技改变未来

## CM500-I27

### 1 D laser stationary barcode reader

- Comprehensive reading ability
- Low-power consumption design is compatible with all kinds of devices
- Powerful data editing function
- Reliable and durable structural design



## Product characteristics

### **Comprehensive reading ability**

Quickly scan and decode various types of 1D barcodes, read a wide range of bar codes, can clearly read the printing quality is poor or fuzzy barcode labels.

### **Low-power consumption design is compatible with all kinds of devices**

The low power consumption design of the device can minimize the connection problems caused by insufficient USB driving capacity of the upper machine or excessive voltage requirements of the access device, and maximize the compatibility of the device.

### **Powerful data editing function**

Powerful data editing function, can flexibly meet all kinds of data editing requirement.

### **Reliable and durable structural design**

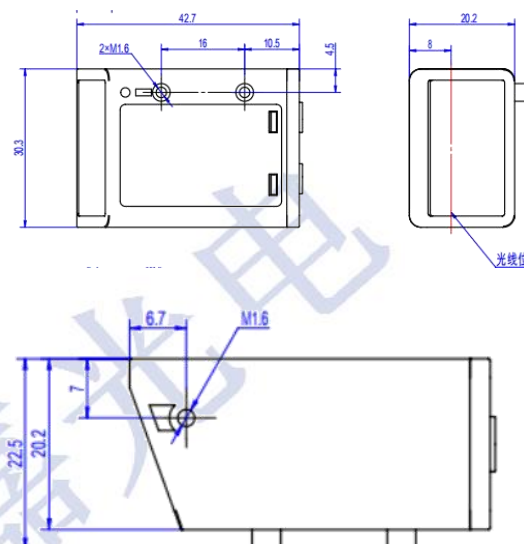
It can withstand repeated drops from 0.6 meters high to the cement floor, making the product has excellent reliability and stability.

# CM500-I27

1 D laser stationary barcode reader

electrical characteristics	
data interface	RS232
working voltage	DC 5V±5%
working current	106mA
optical characteristics	
sensor	photosensor
illuminant	650±10nm visual laser
performance characteristics	
scan distance	40~310mm@Code128(8mil)
	40~375mm@Code39(8mil)
scanning rate	104fps
reading angle	bias: ±65°; shifting: ±40°; revolve: ±35°
minimum resolution	4mil
minimum print contrast ratio	>25%UPC/EAN 13(13mil)
curvature	R > 15mm (EAN8) , R > 20mm (EAN13)
decoding ability	Codabar,Code11,Code39,Code93,Code128,Data Options,Discrete 2of5,UPC/EAN, Chinese 2of5,Event Reporting,GS1 DataBar,Interleaved 2of5,MSI,Serial Interface
physical characteristics	
size	42.7 mm X30.3 mm X20.2 mm (long×wide×high)
weight	20g (excluding cable)
aseismic capacity	0.6M drop down to the concrete surface
environmental characteristics	
temperature	0°C-40°C (work) , -10°C-60°C (store up)
humidity	20%~90%
light resistance	10000lux

dimensional drawing:



\*Specifications are subject to change without notice\*

