

# YJOT 亿嘉

科技改变未来

## CM500-L13

### 1 D laser stationary barcode reader

- Comprehensive reading ability
- Industrial grade design
- Compact volume
- Excellent read-taking feedback



## Product characteristics

### Comprehensive reading ability

Quickly scan and decode various types of 1D bar codes, read a wide range of bar codes, can clearly read the printing quality is poor or fuzzy bar code labels.

### Industrial grade design

The rugged design can better protect and adapt to the more working environment.

### Compact volume

The compact volume is suitable for applications where space is limited.

### Excellent read-taking feedback

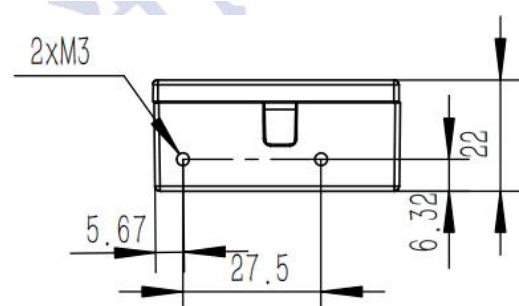
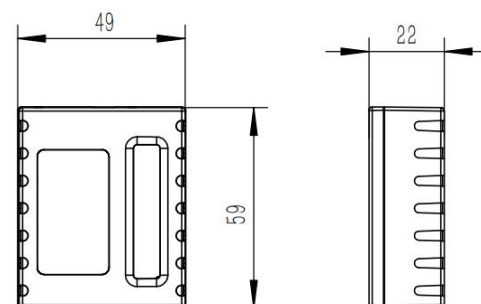
With red and green LED reading indicators and buzzer successful read code prompt sound, to ensure that the operator can quickly and accurately get read feedback prompt.

# CM500-L13

## 1 D laser stationary barcode reader

electrical characteristics	
data interface	RS232
working voltage	DC 5V±10%
working current	120mA
optical characteristics	
sensor	photoelectric sensor
illuminant	650±10nm visual laser
performance characteristics	
scan distance	20~175mm@Code128(8mil)
	20~235mm@Code39(8mil)
scanning rate	100 次/秒
reading angle	bias: ±50°; shifting: ±35°; revolve: ±20°
minimum resolution	4mil
minimum print contrast ratio	>30%UPC/EAN 13(13mil)
curvature	R > 15mm (EAN8) , R > 20mm (EAN13)
decoding ability	Code39,Code39 Full ASCII,Code93,Code128, Interleaved 2of5,CX-Chinese postmatrix 2of5, IATA, Industrial 2of5,ISBN, ISMN,ISSN, ItalianPharmaceutical, JAN/UPC/EAN/Add-on, Korean Postal Authority code, Matrix 2of5 ,MSI/Plessey, NW-7/Codabar ind.ABC , RSS Limited(inc.CC-A/B), RSS Expanded(ind.CC-A/B), S-Code,Telepen, Tri-Optic,UCC/EAN-128
physical characteristics	
size	59 mm X49 mm X22 mm (long×wide×high)
weight	58g (excluding cable)
aseismic capacity	1.0M drop down to the concrete surface
environmental characteristics	
temperature	-20°C~65°C (work) , -30°C~70°C (store up)
humidity	20%~85%
light resistance	The maximum fluorescent light is 3000 lx and the maximum direct sunlight is 50000 lx

dimensional drawing:



\*Specifications are subject to change without notice\*

