

YJot 亿嘉

科技改变未来

CMR413

2 D image fixed barcode reader

- Comprehensive reading ability
- Humanized light source
- Powerful data editing function
- Reliable and durable structural design



Product characteristics

Comprehensive reading ability

Quickly scan and decode various 1D or 2D barcodes, with easy scanning of barcodes for various surfaces.

Humanized light source

White LED light source can not only avoid visual fatigue in continuous high-strength working pieces, but also greatly improve the operating efficiency.

Powerful data editing function

Powerful data editing function, can flexibly meet all kinds of data editing needs.

Reliable and durable structural design

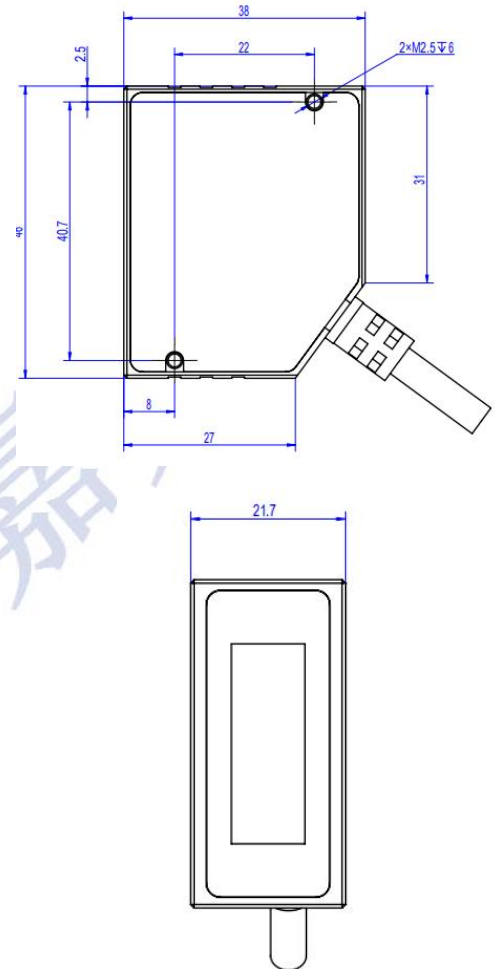
It can withstand repeated drops from 0.6 meters high to the cement floor, making the product has excellent reliability and stability.

CMR413

2 D image fixed barcode reader

electrical characteristics	
data interface	RS232
working voltage	DC 5V±5%
working current	250mA
optical characteristics	
sensor	CMOS sensor
sensor resolution	1280×800 pixel
performance characteristics	
scan distance	40~210mm@Code128(6mil)
	80~230mm@Code39(8mil)
	70~130mm@QR(10mil)
field of vision	54° (H) ×33° (V)
reading angle	bias: ±65°; shifting: ±65°; revolve: 360°
minimum resolution	1D: 4mil 2D: 7mil
minimum print contrast ratio	>30%UPC/EAN 13(13mil)
curvature	R > 20mm (EAN8) , R > 30mm (EAN13)
decoding ability	1D:Codaba,Code11,Code32,Code 39,Code 93,Code128,EAN-8,EAN-13,UPC-A,UPC-EIATA 2of5,Interleaved 2of5,Matrix 2of5,MSI,Pharmacode,Plessey,RSS-14,RSS-14 Expanded,RSS-14 Limited,Composite Code-A,Composite Code-B,Composite Code-C,
	2D:Data MatrixAztec,MaxiCode,Micro PDF 417,Micro QR Code,PDF417,QR Code
physical characteristics	
size	46 mm X38 mm X21 mm (long×wide×high)
weight	60g(excluding cable)
aseismic capacity	0.6M drop down to the concrete surface
environmental characteristics	
temperature	0°C-40°C (work) , -10°C-60°C (store up)
humidity	20%~90%
light resistance	1000lux

dimensional drawing:



Specifications are subject to change without notice

